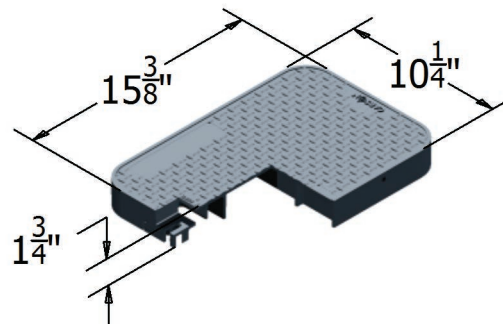


1015

CARSON® TrussT

COVER

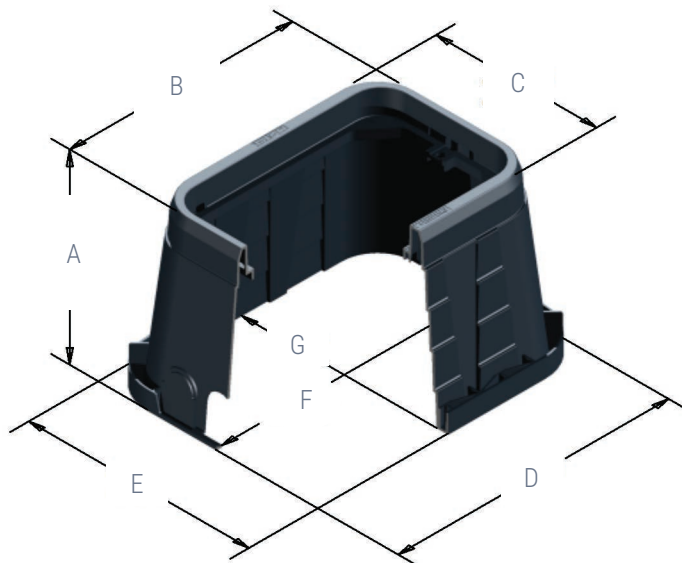
Style:	Flush
Material:	HDPE
Model:	10" x 15"
Weight:	2 lbs
Std. Fasteners:	3/8" Hex Bolt
Options:	Logos and Special Markings
Surface:	Skid Resistant & Marked
Performance:	Pedestrian, ASTM C857, WUC 3.6



Cover comes standard with permanent markings for manufacturer and model size.

BODY

Material:	HDPE
Model:	10" x 15"
Weight:	7" Depth: 4 lbs 12" Depth: 7 lbs
Wall Type:	Flared
Mouseholes:	0/2/6
Performance:	Pedestrian, ASTM C857, WUC 3.6



A	B	C	D	E	F	G
7"	16-1/2"	11-7/8"	19-1/4"	14-5/8"	17-1/2"	12-7/8"
12"	16-1/2"	11-7/8"	20"	16"	18-5/8"	14"

LOAD RATING / NOTES



LIGHT DUTY
PEDESTRIAN / GREENBELT

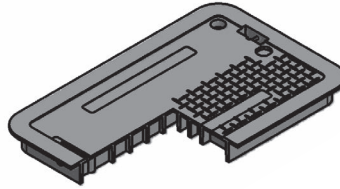
For use in non-vehicular traffic situations only.
Weights and dimensions may vary slightly.
Actual load rating is determined by the box and cover combination.

1015

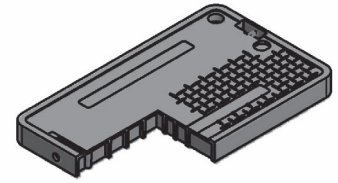
CARSON® *TrussT*

COVER OPTIONS

HDPE, T-Cover Solid
HDPE, Flush Solid
HDPE, Flush with Plastic Reader Door
HDPE, Flush with Cast Iron Reader Door
HDPE, Flush Hinged



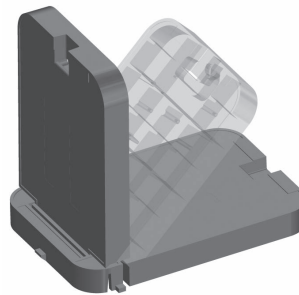
T-Cover Solid



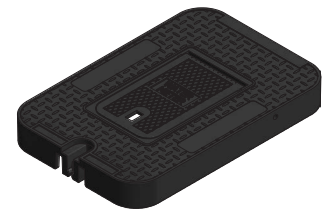
Flush Solid

COLOR OPTIONS

Cover: Black, Green, Purple, Blue
Body: Black, Green, Purple
Extension: Black



Hinged Cover



Reader Door Detail

FASTENER OPTIONS

Snap-On (T-Cover)

ADD ON OPTIONS

Touch Read Hole
EMS Marker



EMS Marker

WARNING: Cancer - www.P65Warnings.ca.gov

All information contained on this sheet is current at the time of publication.
Oldcastle reserves the right to discontinue or update product information without notice.

Revision 12/21/20
© 2020 Oldcastle Infrastructure